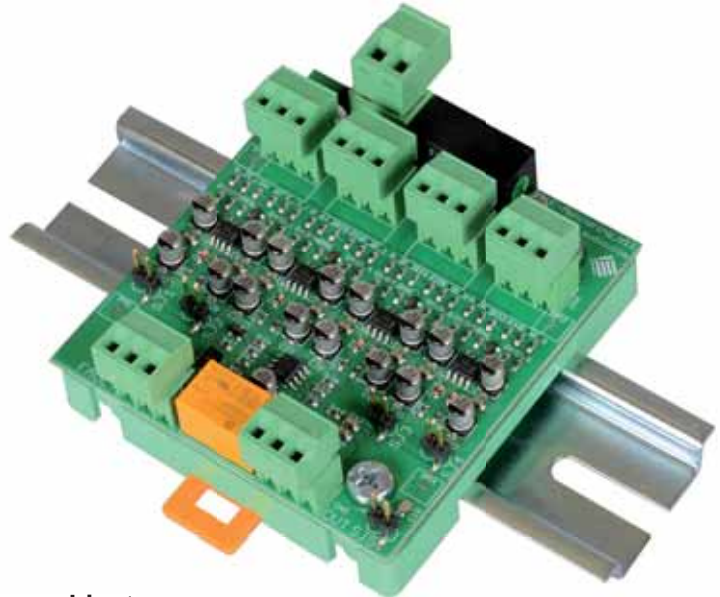


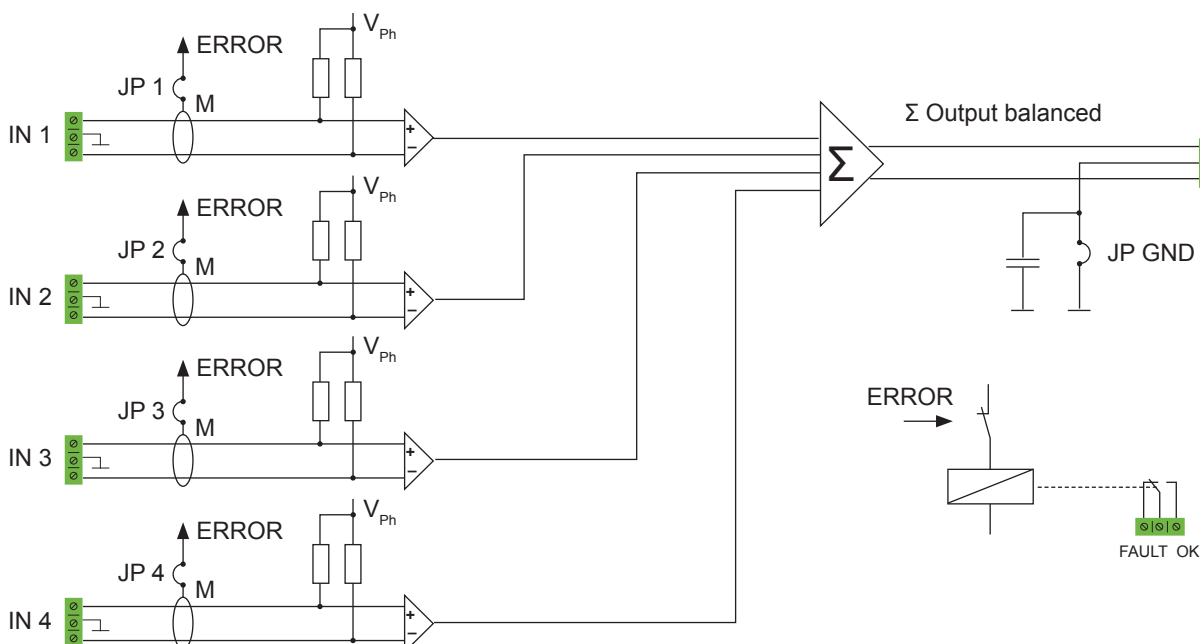
## System component: AVC-MONITORING

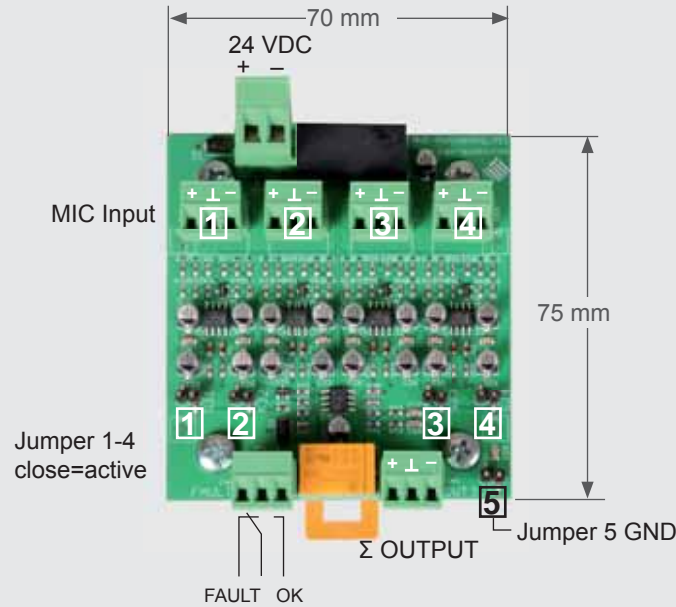
ITEC AVC-MONITORING is a module for the monitoring of up to four microphone lines (specially designed for the use with the ITEC AVC-MIC). Besides of the monitoring of microphone cables (for short circuit and open circuit), the summation of up to four microphone signals is possible. The summary of up to 4 microphones distributed over an area will then become the result for the ambient noise.



- Open Frame module for installation in the system cabinet
- Easy installation, prepared for DIN-rail 35 mm
- All connections on plug terminal blocks
- Collective fault relay contact (fault / OK)
- Suitable for both mic level and line level
- Monitoring / summing up to four microphones
- Provides the connected microphones with phantom voltage 12V
- Exclusion of non-active lines by jumpers

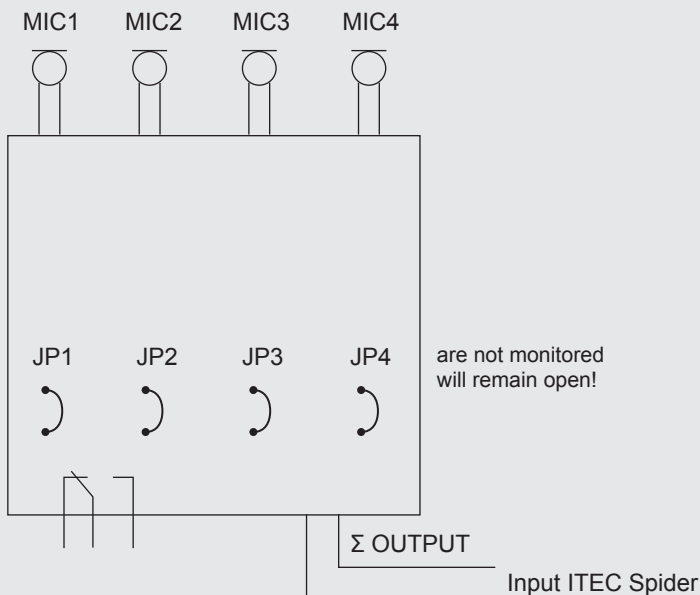
### BLOCK DIAGRAM



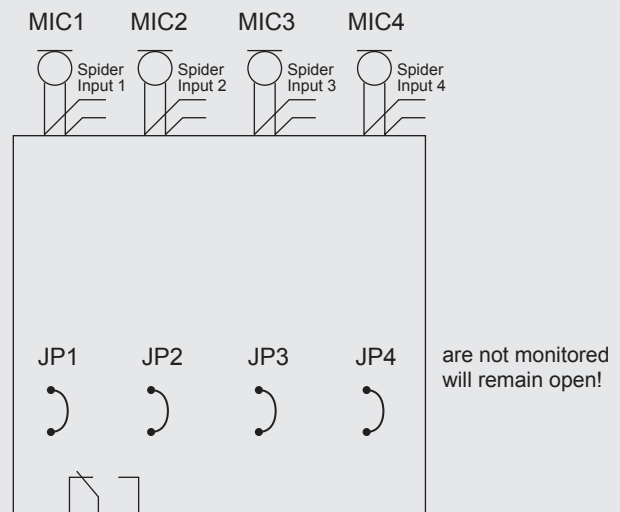


POWER SUPPLY	24VDC
CURRENT	ca. 100 mA
POWER SUPPLY MICROPHONES	12VDC (galvanically isolated from power supply)
MONITORING PER LINE	open, short, short to ground
RELAY CONTACT	max. 48 Volt/500 mA
DESIGN	Open Frame module for cabinet installation
OPERATING TEMPERATURE	-5°C - +40°C
DIMENSIONS	75 x 70 x 40 mm (height x width x depth)
WEIGHT	0,1kg
MOUNTING	DIN-rail 35 mm

### APPLICATION EXAMPLE 1-4 MICROPHONES ON AN OUTPUT



### APPLICATION EXAMPLE 1-4 MICROPHONES SEPARATELY



All information without guarantee. Subject to technical changes.