

System component: BUSINESS-CALLSTATION 1/8

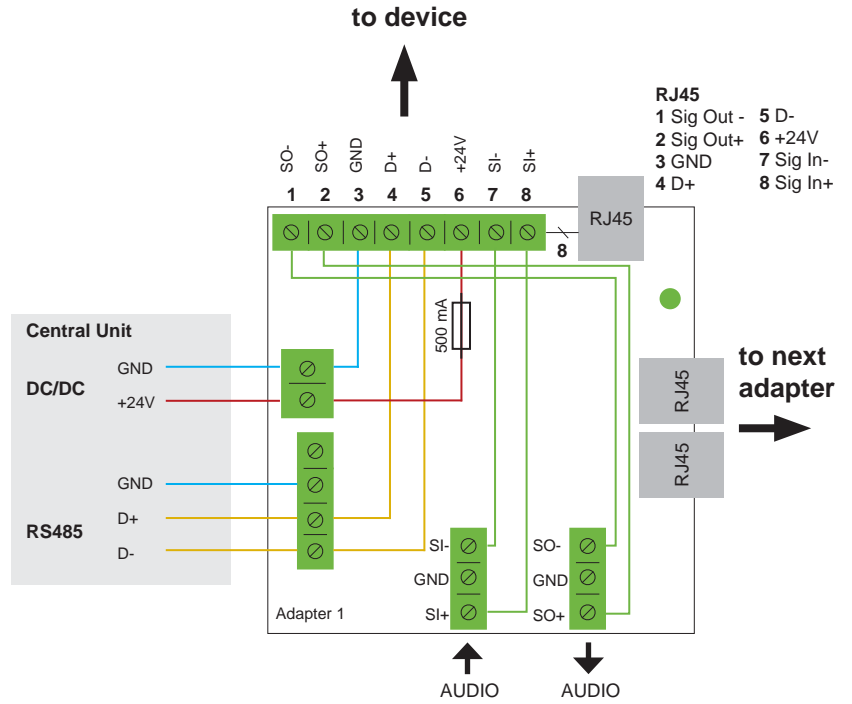
- Call station for ITEC-NET system
- Eight illuminated zone buttons, one push-to-talk button
- Sturdy steel panel housing
- Electret condenser microphone with goose neck
- Audio output analogue, balanced
- Data transmission RS-485 (ITEC-Bus)
- Audio-Output 0dB (Line Level)
- Connection to control center with CAT5 or higher / RJ45
- Up to eight call stations cascable (daisy chain)
- Adapter module for simple connection to central system available
- Interchangeable labelling card
- Up to three expansion modules with 8 zones each stackable
- Audio amplifier (1 watt) and loudspeaker integrated
- Addressable via 8-way SIP switch in the device



Callstation 1/8

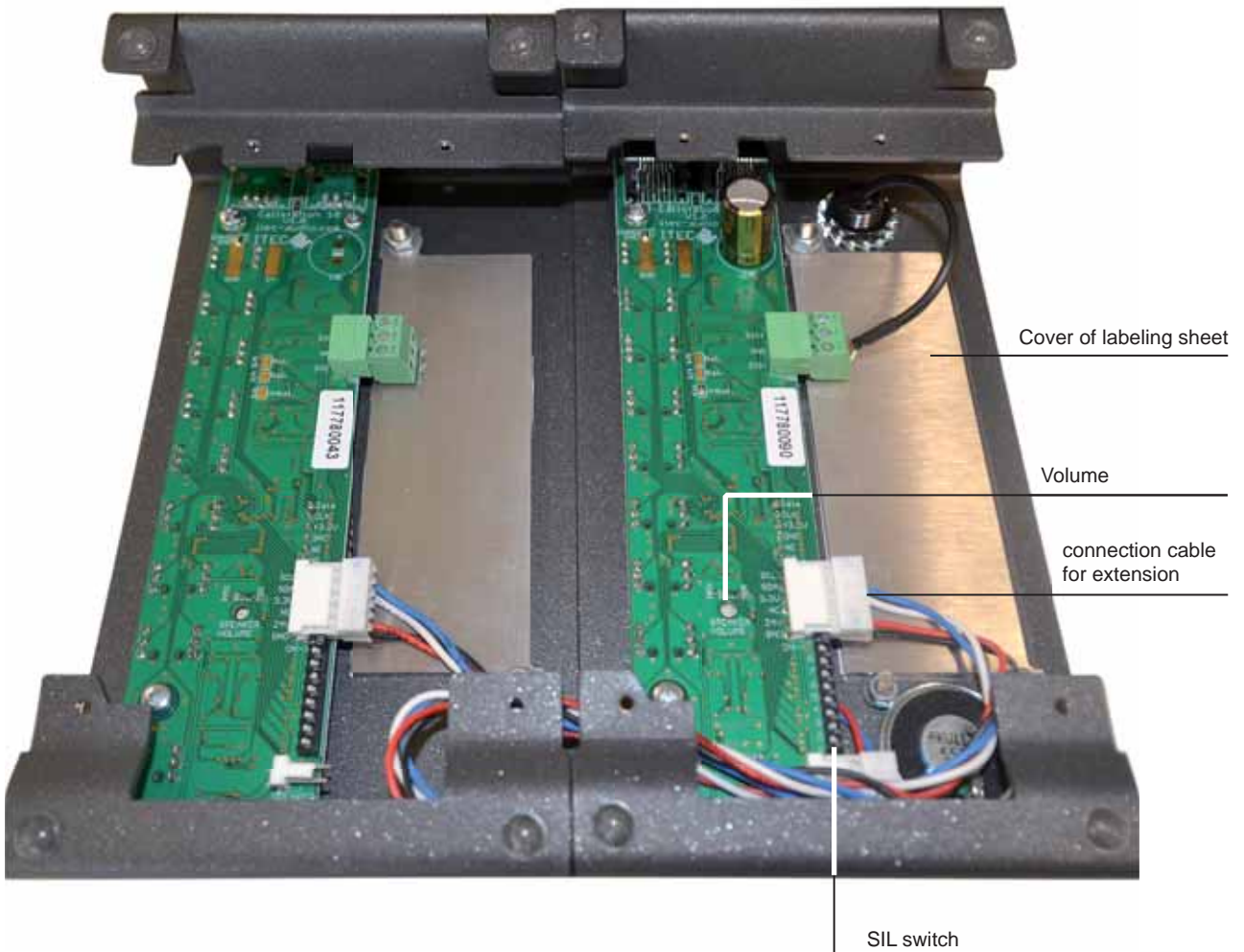
Callstation 1/8 with 1x Callstation 1/8 Extension

Adapter-Module



Extension module
(Max. 3 possible)

Master module
with gooseneck
microphone



SIL switch

Device ID

1	2	3	4	5	ID
0	0	0	0	0	X
1	0	0	0	0	X
0	1	0	0	0	2
1	1	0	0	0	3
0	0	1	0	0	4
1	0	1	0	0	5
0	1	1	0	0	6
1	1	1	0	0	7

1 = ON
 0 = OFF
 X = Not valid

Annotation

- will be set in BCD
- valid range is 2 to 17
- uniquely identifies the device at the BUS, the ID can be mentioned in the range which can be freely selected.
- ID setting only relevant to master module (6,7 = 0)

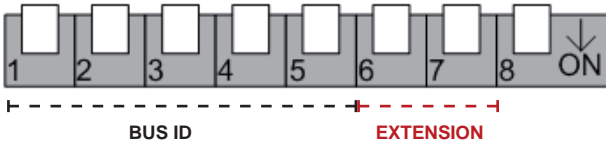
Extension ID

6	7	ID
0	0	M
1	0	1
0	1	2
1	1	3

1 = ON
 0 = OFF
 M = Master module

Annotation

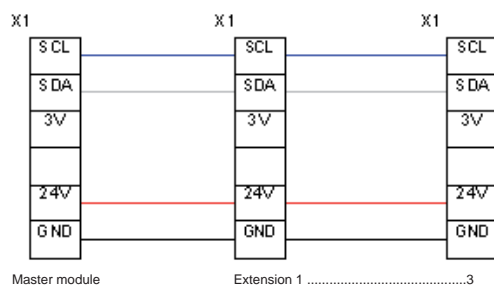
- will be set in BCD
- valid range is 0 to 3
- it must only be set on expansion boards, if a value is set, the BUS ID is ignored, it starts continuously at 1. Default value 0 = motherboard
 1 - 3 = extension board 1 to 3



Error flash code

Template	Annotation
Zone 1 flashes	Invalid BUS ID
Zone 2 flashes	Keyboard extension ID is not in ascending order
Zone 3 flashes	„Brownout Fuse“
Zone 4 flashes	„Watchdog Fuse“
Zone 5 flashes	„Bootloader not present“
Zone 6 flashes	„Start from Appsection Fuse“
Zone 7 flashes	„EESAVE Fuse“
Zone 8 flashes	„User Signature Empty“

Connection of a keyboard extension board



Master module

Extension 13

BUSINESS-CALLSTATION 1/8 - SPECIFICATIONS



CALL STATION CONSTRUCTION	Steel panel housing with permanently mounted goose neck microphone
MICROPHONE	Electret condenser microphone, length: 295 mm
ADAPTER CONSTRUCTION	„Open frame“ construction with base for 35 mm snap-on plate
POWER SUPPLY	24 VDC (via RJ45)
CURRENT DRAIN	max. 50 mA
OUTPUT LEVEL	0 dB balanced (Line)
HOUSING MATERIAL / COLOUR	Surface: powder-coated in dark grey, textured / sides: Stainless steel untreated
PROTECTION CLASS	IP 44
OPERATING TEMPERATURE	-5°C - +40°C
DIMENSIONS	Call station: 185 x 103 x 62 mm / Adapter: 70 x 70 x 36 mm
WEIGHT	Call station: 1,10 kg / Adapter: 90 g

All information without guarantee. Subject to technical changes.