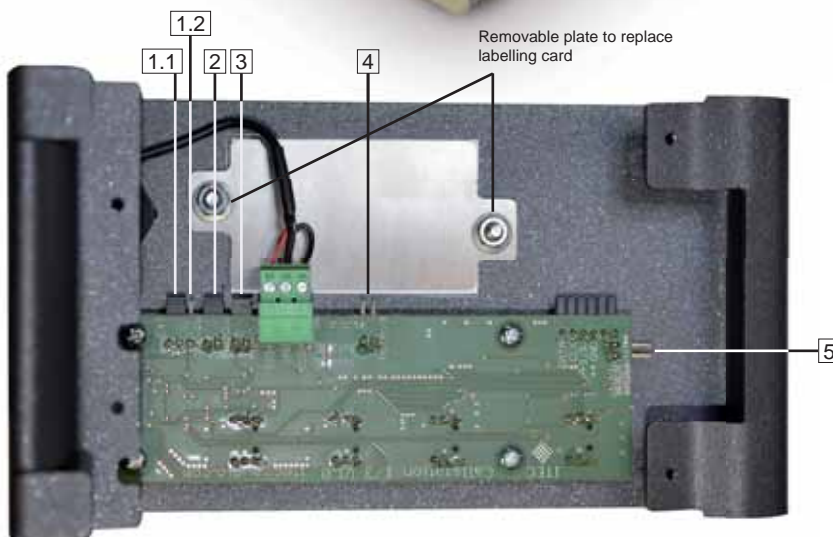


System component: BUSINESS-CALLSTATION 1/3



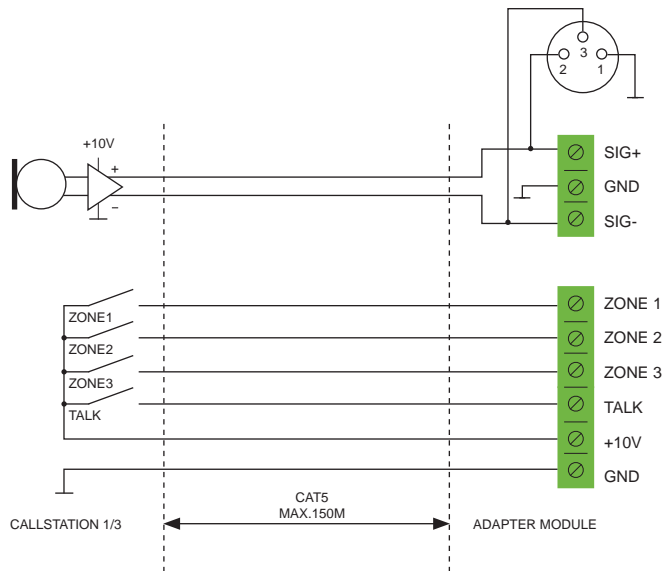
- Call station for ITEC-NET system with 3 „ZONE“ buttons
- Sturdy steel panel housing
- Electret condenser microphone with goose neck
- Audio output analogue, balanced
- Microphone or line level can be configured
- Control signals for „ZONE 1, 2, 3“ and „TALK“
- Connection by means of CAT-5 wire (RJ45 plug connector)
- Adapter module for simple connection to central system
- Interchangeable labelling card
- „TALK“ button optionally with push button or toggle switch function



Configuration by means of jumper:

- 1.1: External power supply
- 1.2: Phantom power supply
- 2.3: Output line level: both jumpers open
Output mic level: both jumpers plugged in
- 4: no audio mute when closed
- 5: „TALK“ button toggle switch function when closed

Simplified schematic illustration



Adapter-Module



XLR:
1= GND
2= SIG+
3= SIG-

BUSINESS-CALLSTATION 1/3 - SPECIFICATIONS



CALL STATION CONSTRUCTION	Steel panel housing with permanently mounted goose neck microphone
MICROPHONE	Electret condenser microphone, length: 295 mm
ADAPTER CONSTRUCTION	„Open frame“ construction with base for 35 mm snap-on plate
POWER SUPPLY	10 VDC-12 VDC (via RJ45)
CURRENT DRAIN	max. 100 mA
OUTPUT LEVEL (MIC)	-30 dB balanced
OUTPUT LEVEL (LINE)	0 dB balanced
HOUSING MATERIAL / COLOUR	Surface: powder-coated in dark grey, textured / sides: Stainless steel untreated
PROTECTION CLASS	IP 44
OPERATING TEMPERATURE	-5°C - +40°C
DIMENSIONS	Call station: 185 x 103 x 62 mm / Adapter: 68 x 45 x 42 mm
WEIGHT	Call station: 1.10 kg / Adapter: 50g

All information without guarantee. Subject to technical changes.