

System component: DIGIPOWER 1x250T/02



- LED indicators for signal and operating conditions
- Monitoring contacts for battery
- Monitoring contacts for the output amplifier
- Low installation depth of only 272 mm
- All feed lines with plug-in, screw terminals
- Balanced Inputs
- Automatic standby mode
- Protection against open circuit, short circuit, over temperature, DC
- 230 VAC and 24 VDC power supply
- Switching on delay



INPUTS AND OUTPUTS

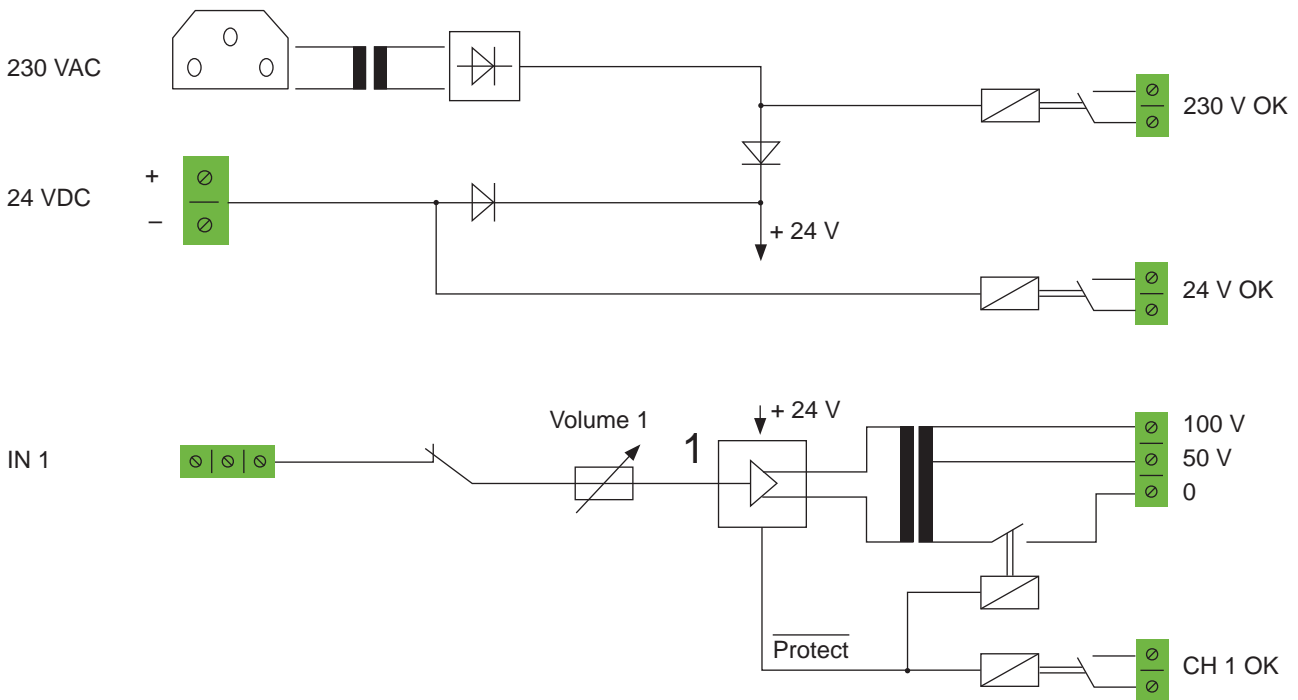
Inputs:

- 24 VDC voltage supply
- 230 VAC voltage supply
- 2 x analog audio inputs
- 2 x control inputs
- 2 x pilot tone audio inputs

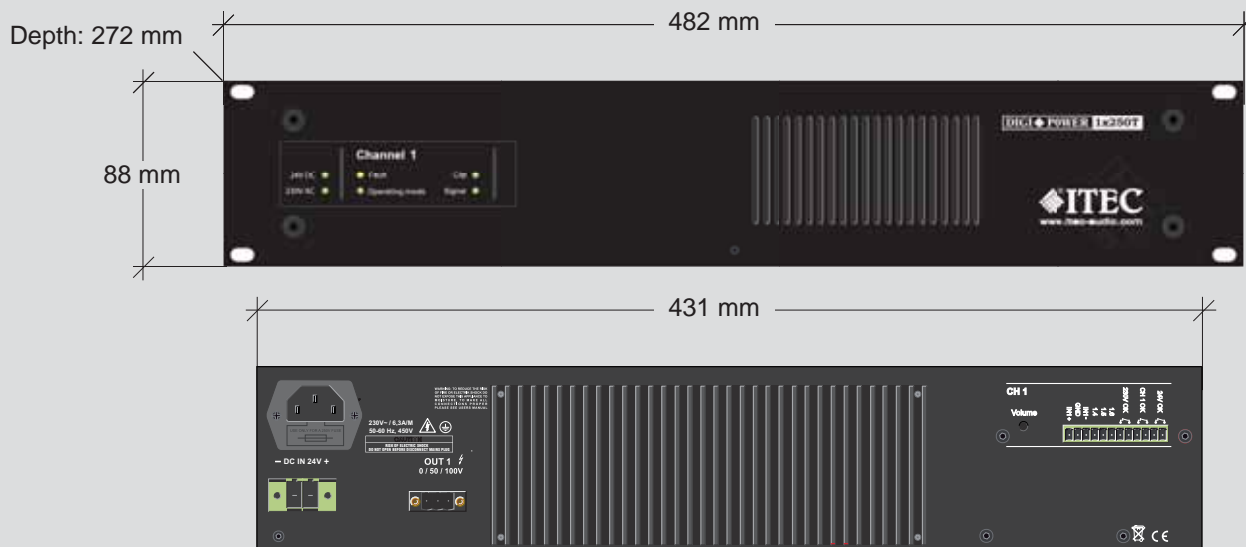
Outputs:

- 100 V/50 V power output
- 4 x status signal contacts
- 24 V.....closed when ok
- CH 1.....closed when ok

ITEC DIGIPOWER 1x250T BLOCK DIAGRAM



DIGIPOWER 1x250T/02 - SPECIFICATIONS



TYPE	1x250T/02
Output Power	1 x 250 W
THD + N	< 0,29 %
Input sensitivity 90Hz - 20 kHz	1V eff
Input Impedance	10 kOhm
Signal-to-Noise Ratio @ 1 kHz, 250 W, Vol 0,5	85 dB
Output transformer	50 V / 100 V
Current consumption 230 VAC sinus 100 V @ 40 Ohms	1,7 A
Current consumption 24 VDC sinus 100 V @ 40 Ohms	15 A
Current consumption Standby 230 VAC	0,045 A
Current consumption Standby 24 VDC	0,32 A
Power consumption in standby mode (230 V)	10 W
Power consumption at full load (230 V)	380 W
Inputs	symmetrical on screw terminal
Supply voltage	230 VAC / 24 VDC
Operating temperature	-5° C bis +40° C
Protection circuits	DC, short circuit, resonance, over temperature
Frequency response	90 Hz ÷ 21 kHz / -3 dB
Dimensions	19" / 2 RU (482 mm x 88 mm x 272mm)
Weight	11.5 kg

All informations without guarantee. Subject to technical changes.