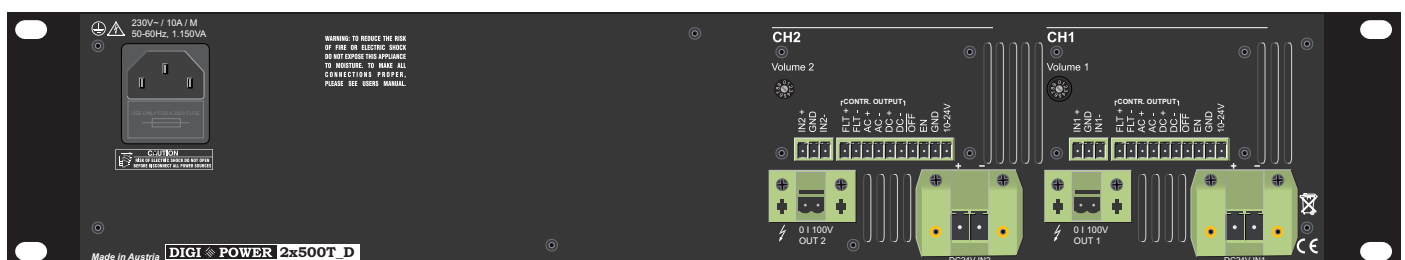
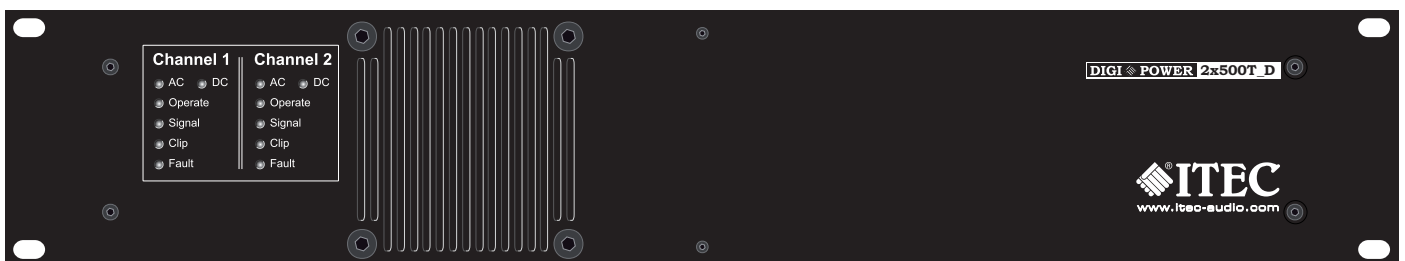


System component: DIGIPOWER 2x500T_D



- 230 VAC and 24 VDC power supply with automatic switching
- Separate power supply per amplifier channel
- Automatic standby mode
- Control LEDs for all signal and operating conditions
- Monitoring contacts for power amplifier, AC and DC supply
- 100 V direct outputs
- Balanced inputs
- 2 channels in 2U/19" housing
- Installation depth 322 mm
- All connections with plug-in terminals
- Protection circuits: Automatic shutdown in the event of overtemperature, overload and hort circuit of the speaker lines

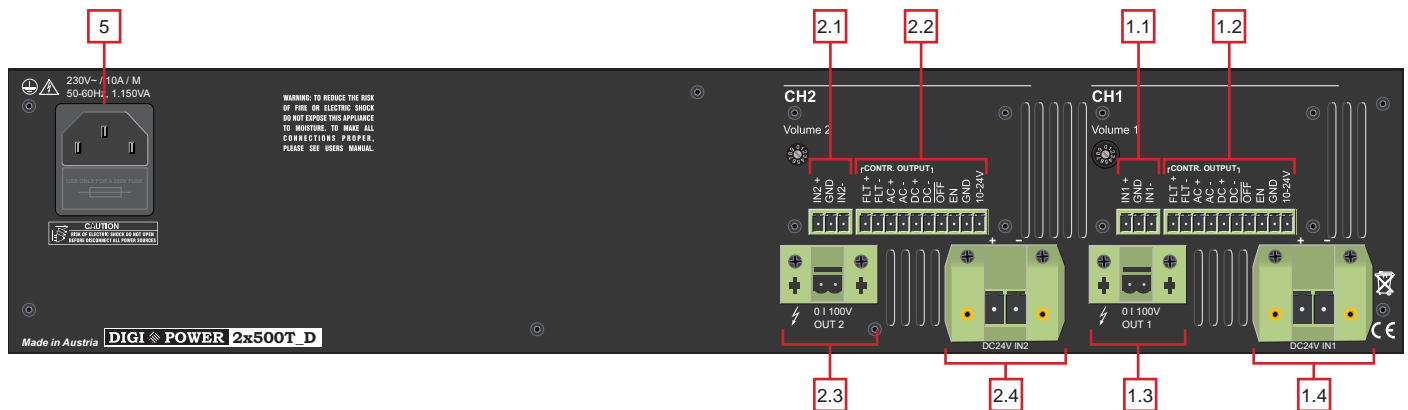


DIGIPOWER 2x500T_D

Two-channel digital power amplifier with 2x500W nominal power for professional electroacoustic voice alarm systems. The electronic protective circuits ensure the necessary safety of the amplifier. In case of a power failure automatically switched to emergency power operation (battery 24V).

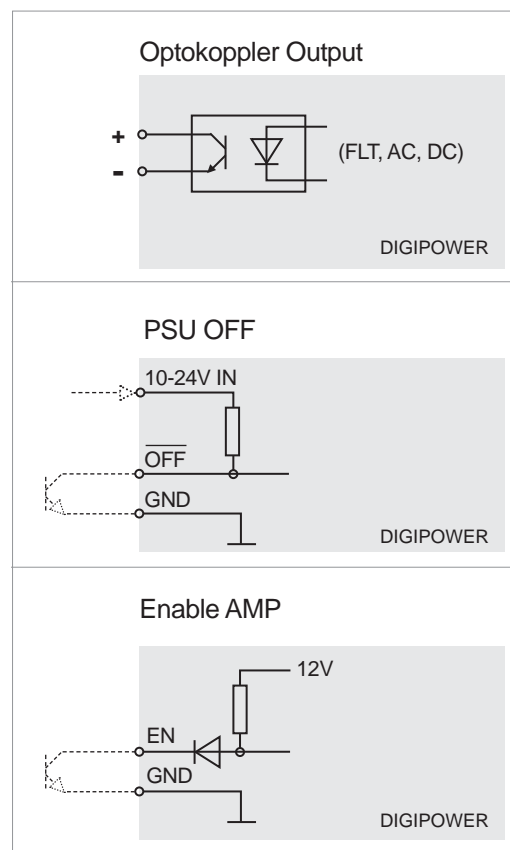
A very reliable electronics design guarantees uncompromising transmission quality and long-term trouble-free operation. Thanks to digital signal processing, up to 90% efficiency and hardly any waste heat.

- Temperature dependent fan control
- Monitoring contacts for all channels
- Digital amplifier design
- Installation depth of 322 mm
- Level control for each channel on the back
- All operating states are indicated by LEDs

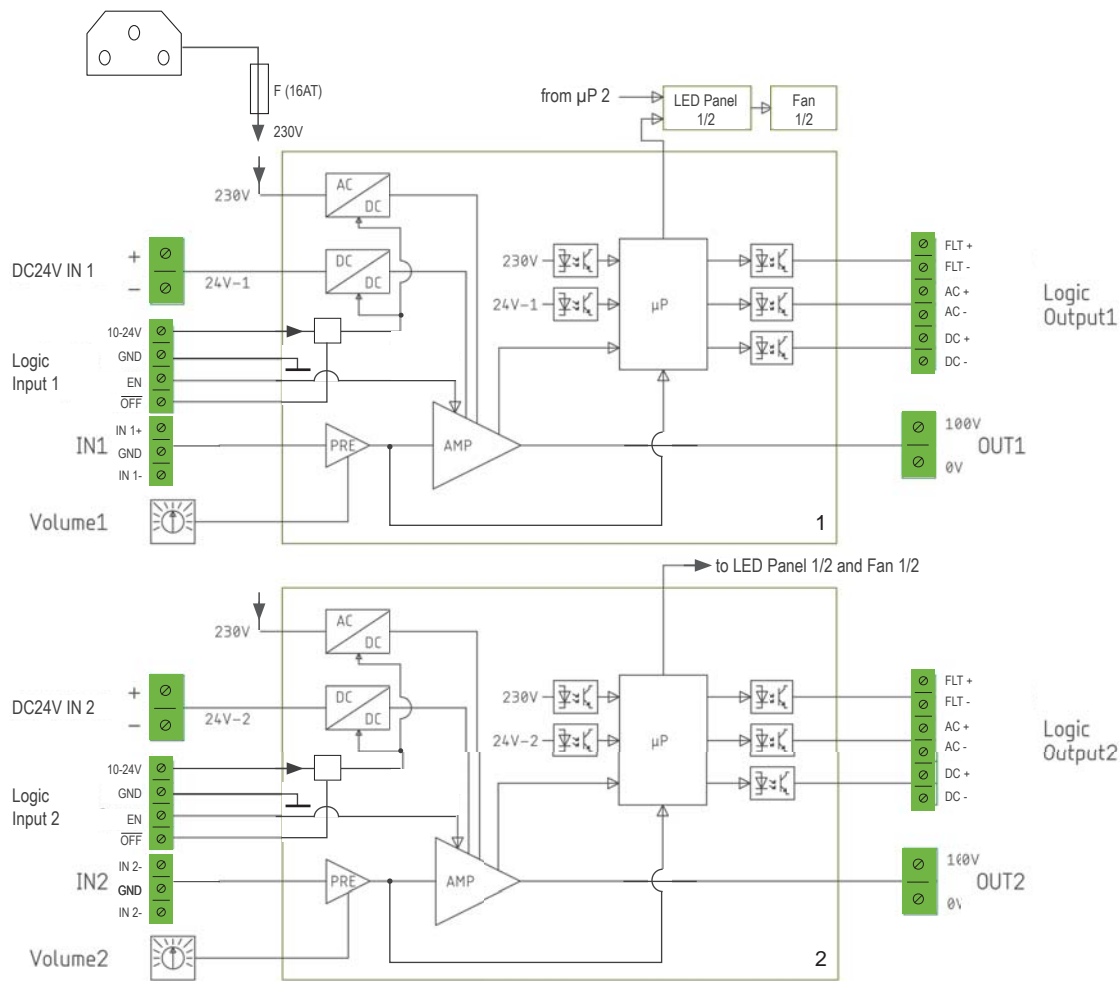


Terminal designation

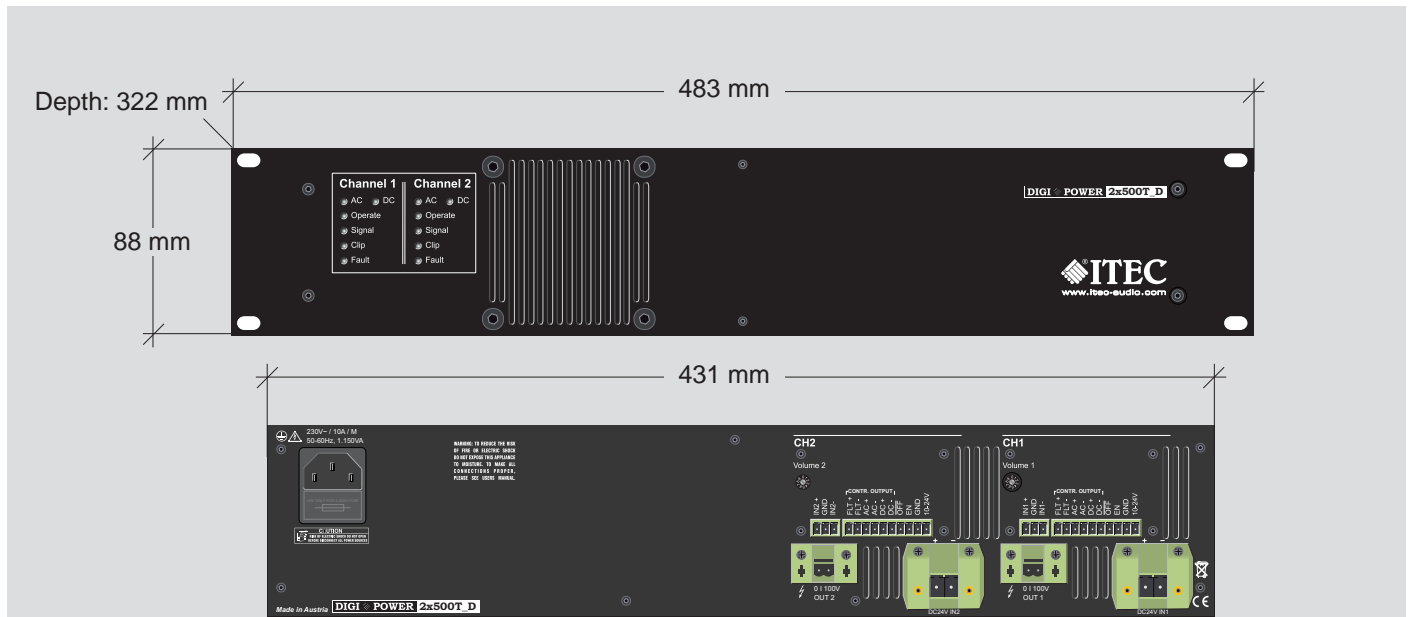
Terminal block	Pin	Designation	Description	
Audio In	1.1 / 2.1	1	IN+	Audio Input +
		2	GND	Ground/Schirmung
		3	IN-	Audio Input -
Digital I/O	1.2 / 2.2	1	FLT+	Collector
		2	FLT-	Ermittler
		3	AC+	Collector
		4	AC-	Ermittler
	5	DC+	Collector	
	6	DC-	Ermittler	
	7	OFF	PSU OFF open = PSU on, GND = PSU off	
	8	EN	Enable – Input (Pullup intern) offen = enabled; GND = disabled	
	9	GND		
	10	10-24V	External 10-24V supply is required for the „OFF“ function	
OUT 0/100V	1.3 / 2.3	1	0V	Audio Output -
		2	100V	Audio Output +
DC IN 24V	1.4 / 2.4	1	DC 24V IN +	24 VDC power supply
		2	DC 24V IN -	
230 V	5	L PE N	230 VAC power supply	



ITEC DIGIPOWER 2x500T_D BLOCK DIAGRAM



DIGIPOWER 2x500T_D - SPECIFICATIONS



	Min.	Typ.	Max.
Power supply AC	85 VAC	230 VAC	265 VAC
Current consumption 230 VAC (OUT: 2x Sinus 100 V, 1kHz @ 20 Ohm)		5.5 A	
Current requirement 230 VAC (OUT: 2x Sinus 100 V, 1kHz @ 20 Ohm)		1250 W	
Power supply DC	21 VDC	24 VDC	27.6 VDC
Current consumption 24 VDC (OUT: 2x Sinus 100 V, 1kHz @ 20 Ohm)		2 x 26 A	
Current requirement 24 VDC (OUT: 2x Sinus 100 V, 1kHz @ 20 Ohm)		2 x 625 W	
Current requirement Standby @ 230 VAC		14 W	
Current requirement Standby @ 24 VDC		2 x 7 W	
Current requirement Off		0.05 W	
Output power (RMS, 20 Ohm, 100 V) @ 230 VAC	2 x 500 W		
Output power (RMS, 20 Ohm, 100 V) @ 24 VDC	2 x 500 W		
THD + N (20 Hz – 20 kHz, 100 mW – 100 W, 100 Ohm)			0.1 %
External voltage distance (A-weighted)		102 dB	
Input resistance (each channel)		10 kOhm	
Frequency response (-3 dB)	10 Hz	-	30 kHz
Voltage gain		42.2 dB	
Maximum output voltage		105 V _{RMS}	
General technical data			
Dimensions (WxHxD)	483 mm x 88 mm x 322 mm		
Weight	4,4 kg		

All Informations without guarantee. Subject to technical changes.