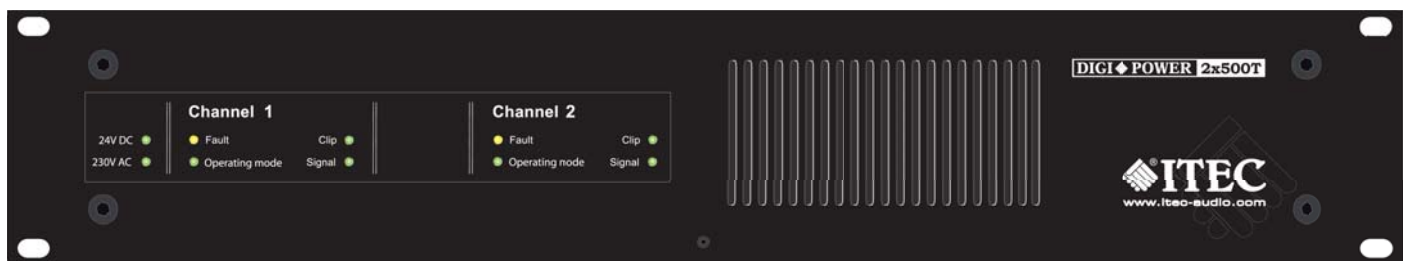


## System component: DIGIPOWER 2x500T/02



- LED indicators for signal and operating conditions
- Monitoring contacts for battery
- Monitoring contacts for the output amplifier
- 2 channels in a 19-inch, 2 units of height case
- Only 272 mm installation depth
- All feed lines with plug-in, screw terminals
- Balanced Inputs
- Automatic standby mode
- Protection against open circuit, short circuit, over temperature, DC
- 230 VAC and 24 VDC power supply



**DIGIPOWER 2x500T/02**

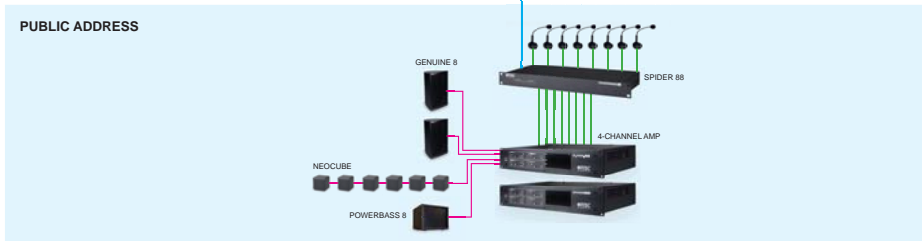
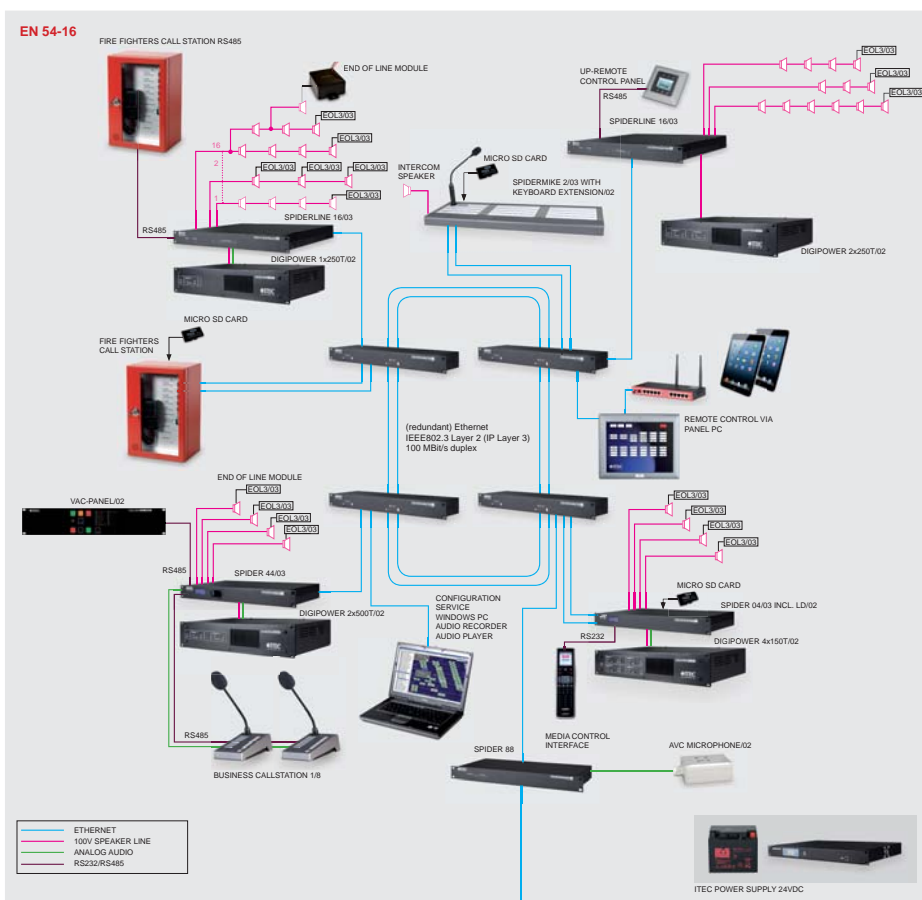
Dual-channel digital power amplifier with 2x500 watts burst output for professional electroacoustic voice alarm systems.

Continuous operation with max. 2x250 W sine wave power. Maximum power 2x 500 W peak. The electronic protection circuits ensure the necessary safety of the amplifier. In the event of a power failure, it automatically switches to emergency power (Battery 24 V). A front LED indicates this.

A very reliable electronic design guarantees an uncompromising transmission quality and a long-term trouble-free operation. Hardly any waste heat, over 90 % efficiency thanks to digital signal processing.

- maintenance-free cooling system with optional fan
- monitoring contacts
- digital signal processing
- only 272 mm installation depth
- only 13 W power consumption in standby mode
- low battery capacity for emergency operation
- level control for each channel mounted on the back
- display of all operating states by LEDs

**SYSTEM OVERVIEW:**



## INPUTS AND OUTPUTS

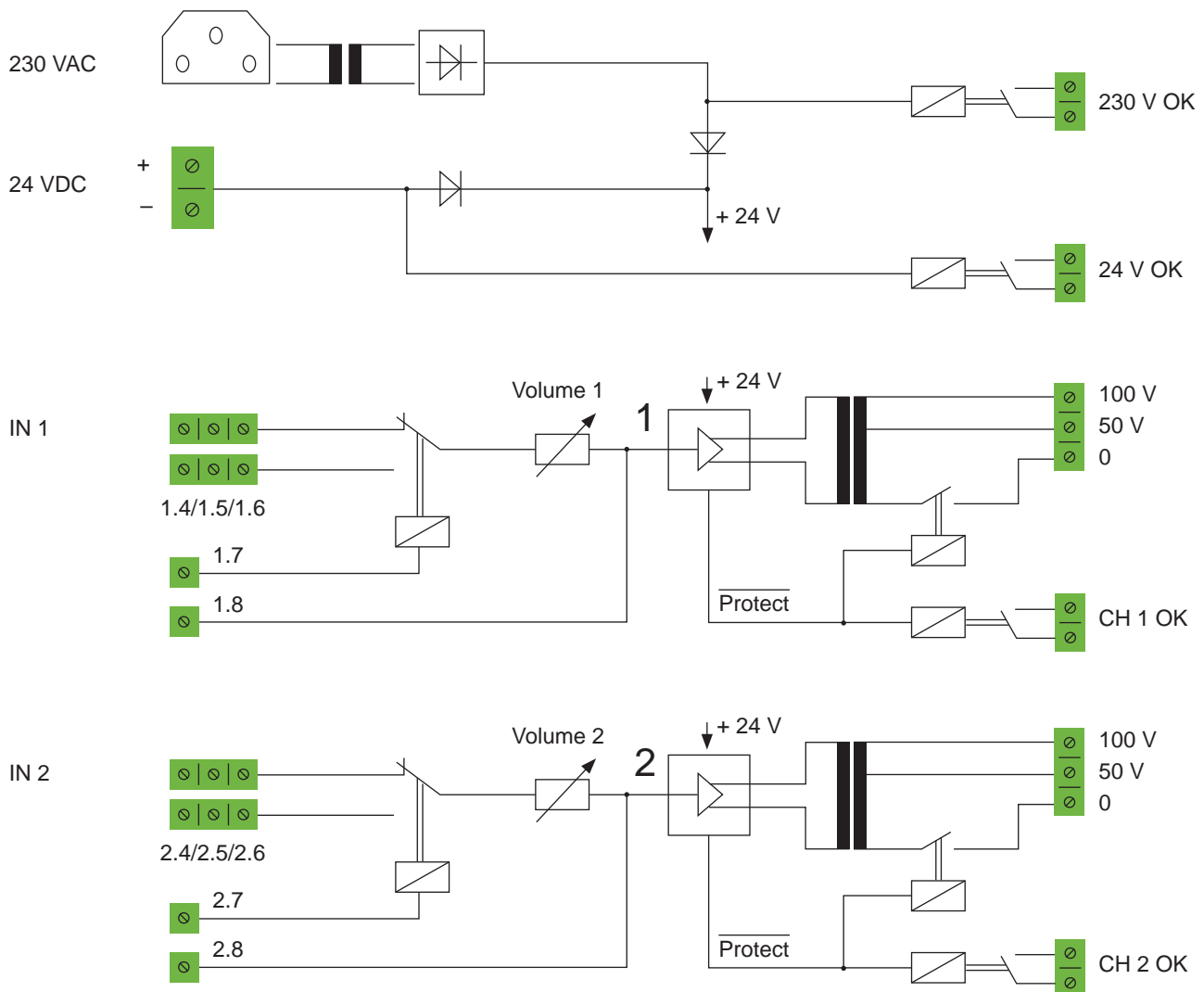
### Inputs:

- 24 VDC voltage supply
- 230 VAC voltage supply
- 2 x analog audio inputs
- 2 x control inputs
- 2 x pilot tone audio inputs

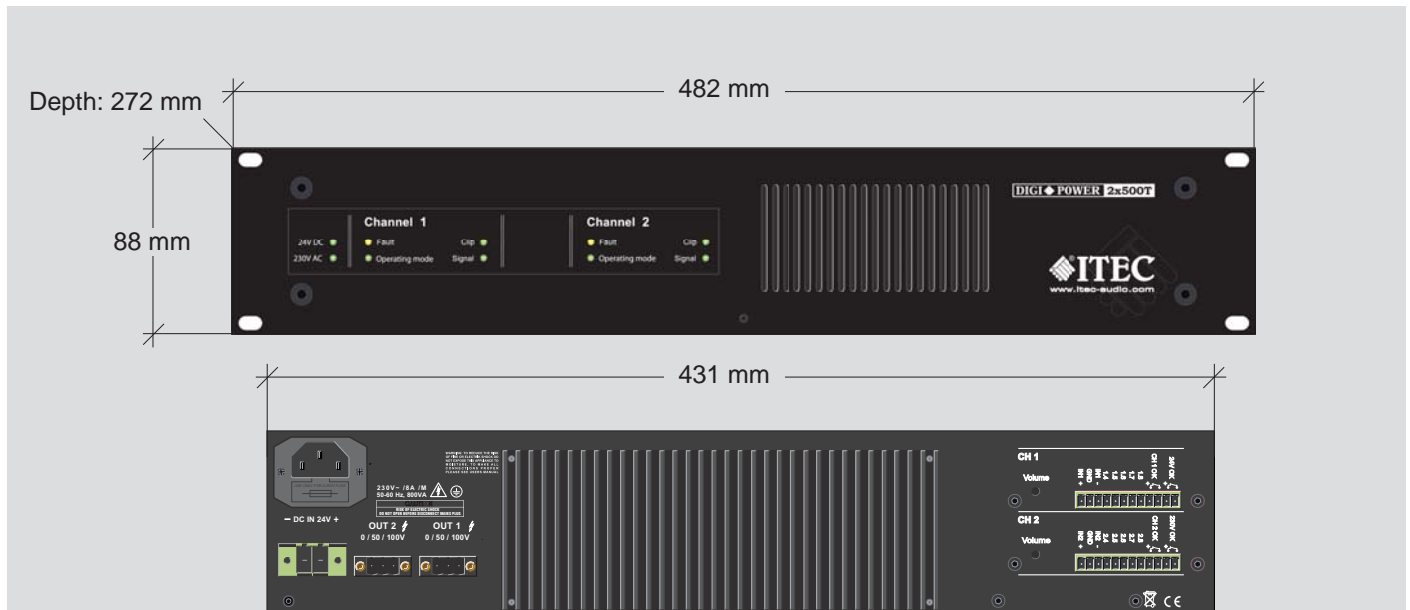
### Outputs:

- 2 x 100 V/50 V power outputs
  - 4 x status signal contacts
- 230 V.....closed when ok  
 24 V.....closed when ok  
 CH 1.....closed when ok  
 CH 2.....closed when ok

## ITEC DIGIPOWER 2x500T/02 BLOCK DIAGRAM



## DIGIPOWER 2x500T/02 - SPECIFICATIONS



TYPE	2x500T/02
Output Power (RMS) @ 230 VAC (20 Ohm 100 V)	2 x 250 W
Output Power (Burst) @ 230 VAC (20 Ohm 100 V)	2 x 500 W
Output Power (RMS) @ 24 VDC (20 Ohm 100 V)	2 x 240 W
THD + N	< 0,29 %
Input sensitivity 90 Hz - 20 kHz	1V eff
Input Impedance	10 kOhm
Signal-to-Noise Ratio @ 1 kHz, 250 W, Vol 0.5	85 dB
Output transformer	2 x 50 V / 100 V
Current consumption 230 VAC sinus 100 V @ 40 Ohms	4A
Current consumption 24 VDC sinus 100 V @ 40 Ohms	26A
Current consumption Standby 230 VAC	0.058 A
Current consumption Standby 24 VDC	0.43 A
Power consumption in standby mode (230 V)	13 W
Power consumption at full load (230 V)	920 W
Inputs	symmetrical on screw terminal
Supply voltage	230 VAC / 24 VDC
Operating temperature	-5° C - + 40° C
Protection circuits	DC, short circuit, resonance, over temperature
Frequency response	90 Hz ÷ 21 kHz / -3 dB
Dimensions	19" / 2 RU (482 mm x 88 mm x 272 mm)
Weight	17.6 kg

All information without guarantee. Subject to technical changes.