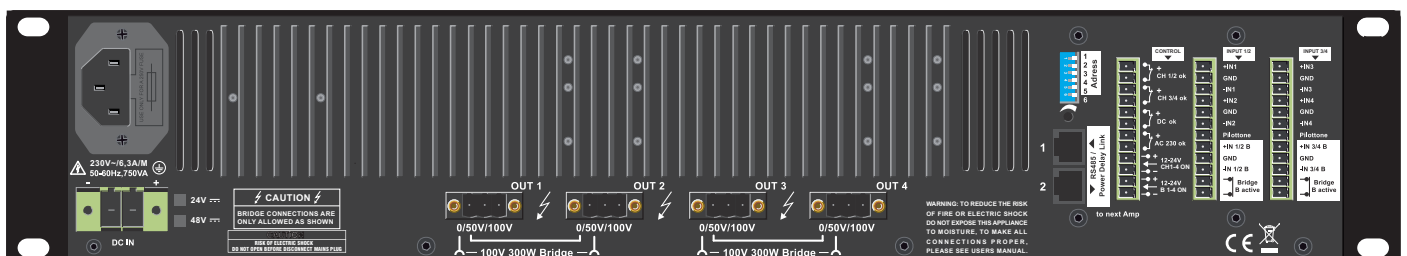


System component: DIGIPOWER 4x150T/02



- LED indicators for signal and operating conditions
- Potential-free monitoring outputs for battery and mains supply
- Potential-free monitoring outputs for the function of the power amplifier
- Low installation depth of only 302 mm
- Low construction height: 2 RUs for 4 channels, output transformer on board
- All ports with push/screw terminals
- Symmetrical signal inputs
- Automatic standby with lowest possible current drain in 24 VDC operation
- Protection circuit against open-circuit operation, short circuits, excessive temperature, DC 230 VAC network and 24 VDC voltage supply
- Soft start, cascadeable switch-on delay when using several devices
- Temperature-controlled fan
- RS485 interface (optional) to control and query important parameters



DIGIPOWER 4x150T/02

100 V digital amplifier - durable and safe for professional ELA installations. The very reliable electronics design ensures transmission performance without compromise and a trouble-free operation for years. Hardly waste heat, over 90 % efficiency thanks to digital signal processing and a maintenance-free cooling system without fans are further features.

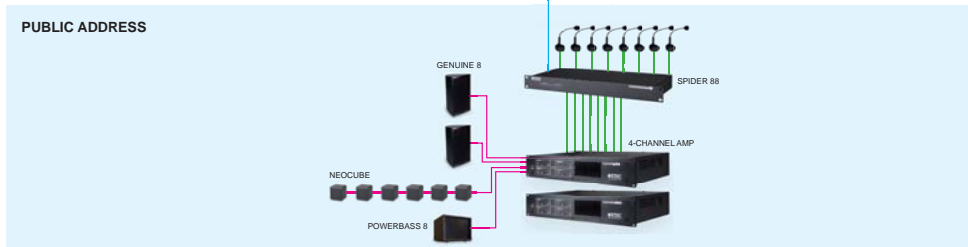
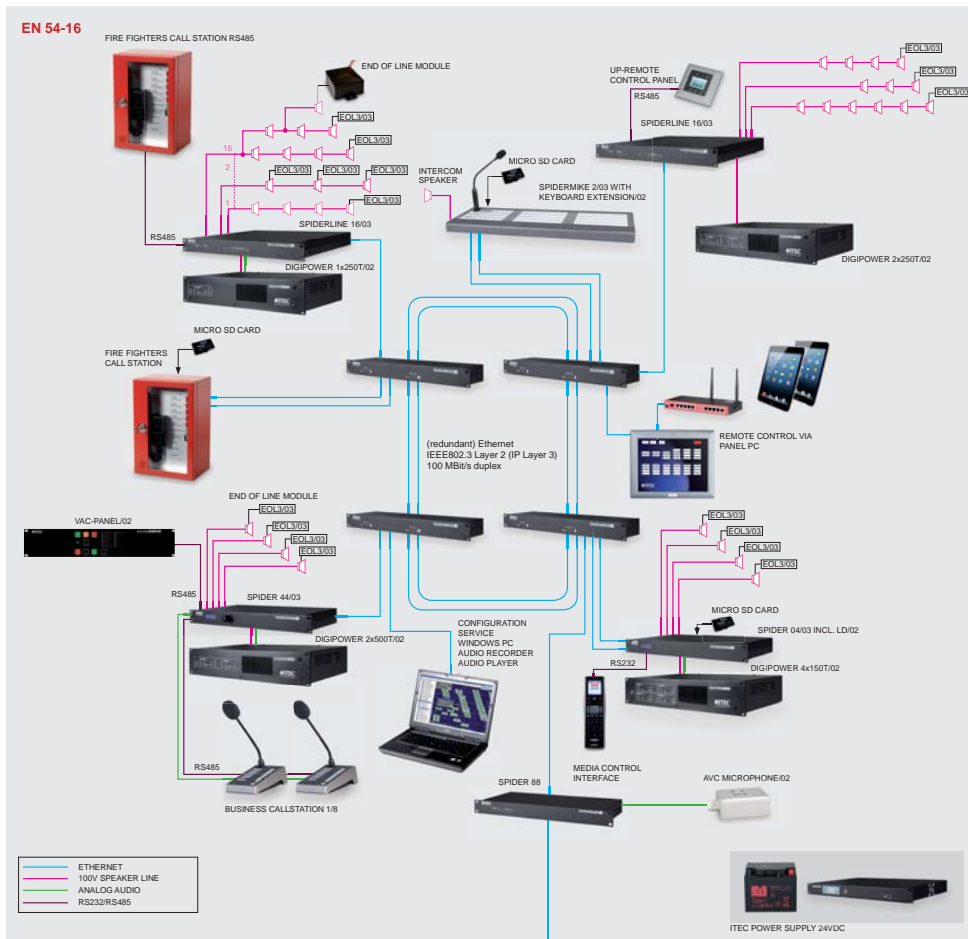
- Maintenance-free cooling system without fan
- Monitoring contacts
- Digital signal processing
- Only 302 mm installation depth
- Only 10 W power consumption in standby mode
- Rechargeable battery for emergency operations

Level controls for each channel located on the back. Display of all operating conditions by LEDs.

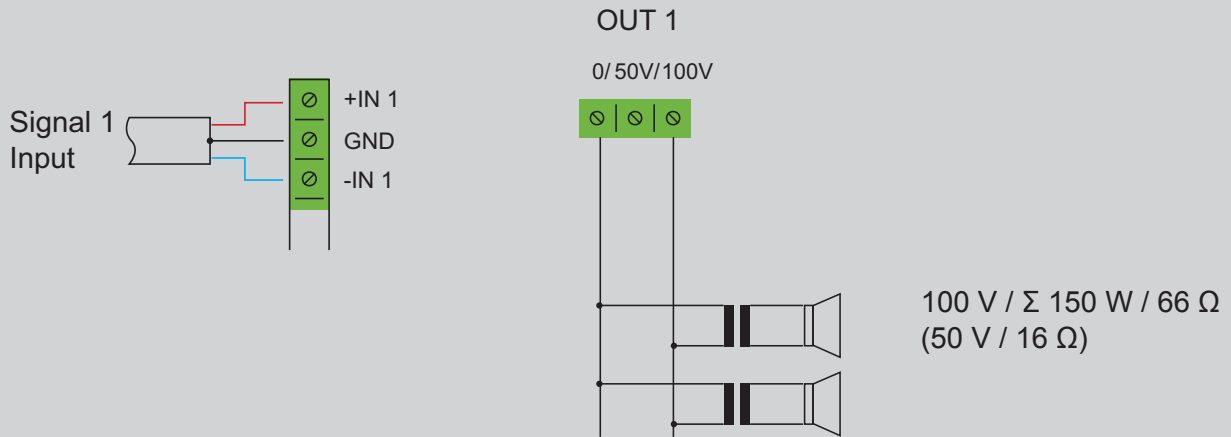
The cooling system operates without a fan, so

- no pollution
- no consequential costs
- no moving parts

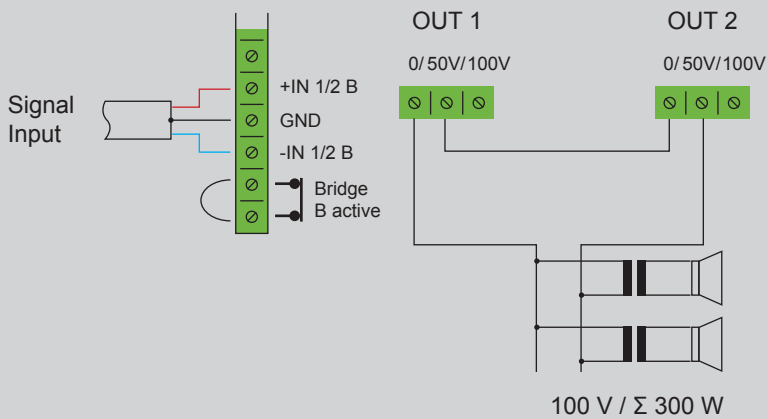
SYSTEM OVERVIEW:



Connection example Channel 1



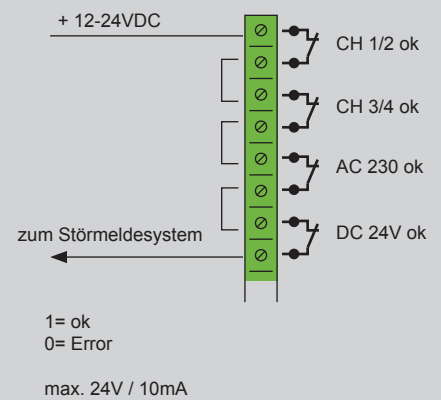
Bridge-Modus 1/2



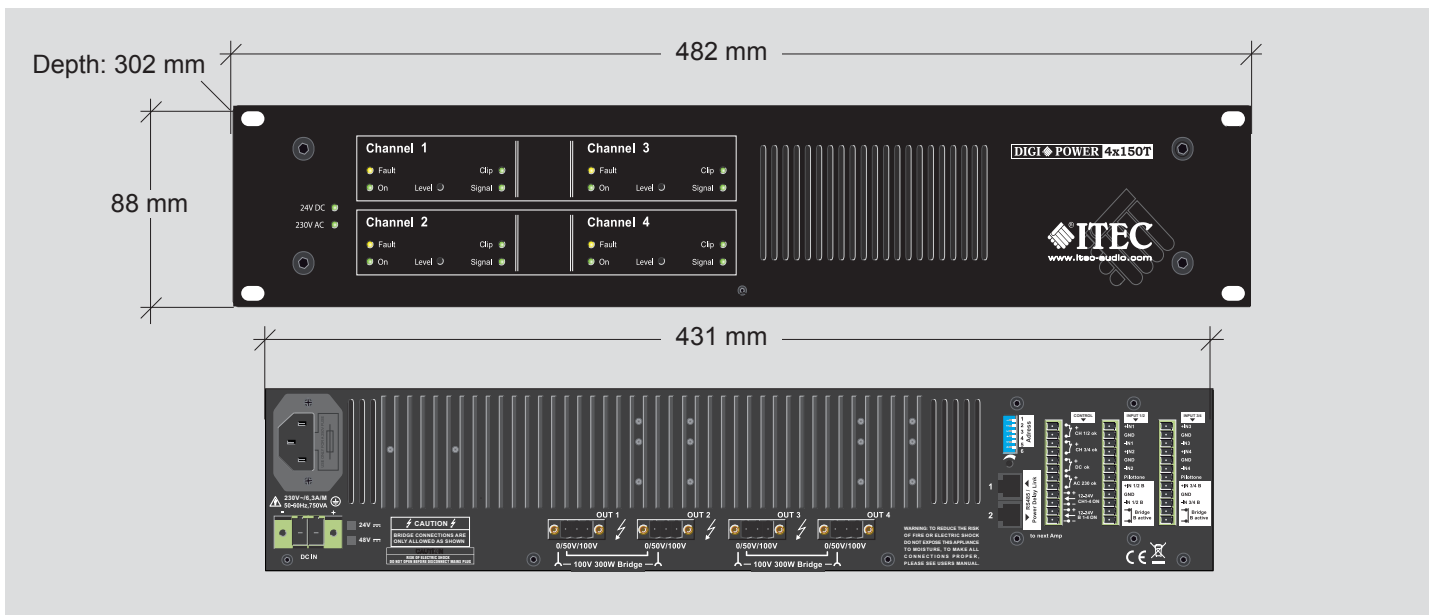
Bridge mode 3/4 is to be wired to the respective terminals in the same way

Operation/fault indication contacts

Wiring example: Collective report



DIGIPOWER 4x150T/02 - SPECIFICATIONS



TYPE	4x150T/02
Output Power (RMS) @ 24 VDC (20 Ohm 100 V)	4 x 150 W
THD + N	< 0,29 %
Input sensitivity 90Hz - 20 kHz	1V eff
Input Impedance	10 kOhm
Signal-to-Noise Ratio @ 1 kHz, 250 W, Vol 0.5	85 dB
Output transformer	50 V / 100 V
Current consumption 230 VAC sinus 100V @ 40 Ohms	3.7A
Current consumption 24 VDC sinus 100V @ 40 Ohms	27A
Current consumption Standby 230 VAC	0.045 A
Current consumption Standby 24 VDC	0.16A
Power consumption in standby mode (230 V)	10 W
Power consumption at full load (230 V)	851 W
Inputs	symmetrical on screw terminal
Supply voltage	230 VAC / 24 VDC
Operating temperature	-5° C bis +40° C
Protection circuits	DC, short circuit, resonance, over temperature
Frequency response	80 Hz ÷ 22 kHz / -3 dB
Dimensions	19" / 2 RU (482 mm x 88 mm x 302mm)
Weight	17.1 kg

All Informations without guarantee. Subject to technical changes.