

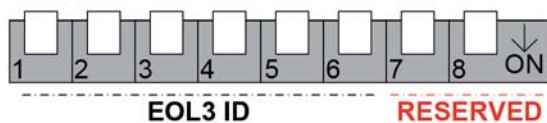
System components: EOL 3/03

- Line monitoring module according to EN 54-16 standard
- Suitable for 100 V systems
- No additional cabling mandatory, works with standard 2-pole wire
- Addressable monitoring component
- Reliable break detection in every branch of a speakerline

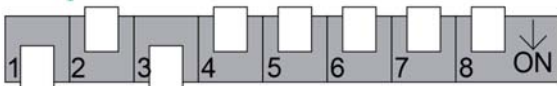


Configuration of the EOL3 module address, further called "EOL3 ID", is achieved through a SIL selection switch. This switch is located on the outside of the module and may be manipulated with a small flat screwdriver or pencil tip.

The valid EOL3 ID range is defined from 1 to 63 and needs to be configured before mounting by trained personnel. The selection switches number 7 and 8 need to be switched off.



Example ID 5



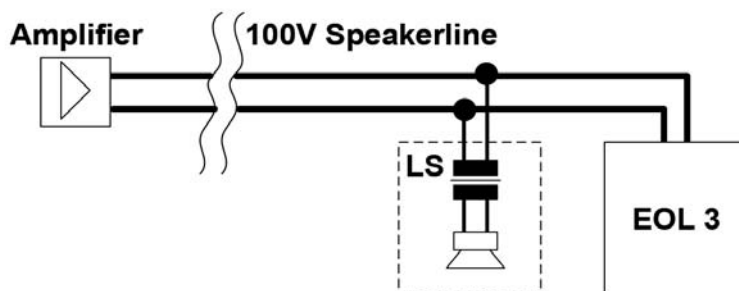
Switch	Value
1	2^0 1
2	2^1 2
3	2^2 4
4	2^3 8
5	2^4 16
6	2^5 32
7	OFF
8	OFF

The following requirements need to be met while addressing the EOL3 modules

- The EOL3 is unique per loudspeaker line and amplifier channel
- The maximum number of EOL3 modules per loudspeakerline is 16
- The maximum number of EOL3 modules connected to an amplifier is 16
- If multiple EOL3 modules are connected on the same loudspeaker line, the ID's need to be in ascending order, without gaps, for example: 6, 7, 8
- The maximum number of EOL3 modules per Spider/Spiderline is 64
- The EOL3 ID is unique per Spider / Spiderline
- The EOL3 ID might be used more than once in a ITEC-NET network

Connection of an EOL3/03 module

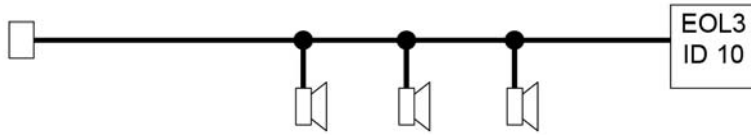
The EOL3 module is connected at the end of a 100V speakerline respectively at the last loudspeaker. The polarity of the connection does not matter.



Wiring diagrams for different speakerline structures

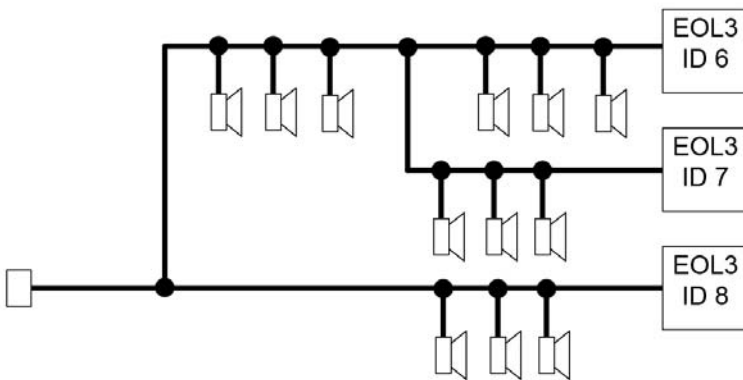
Single transmission line monitoring

The EOL3 modul is connected at the end of the speakerline



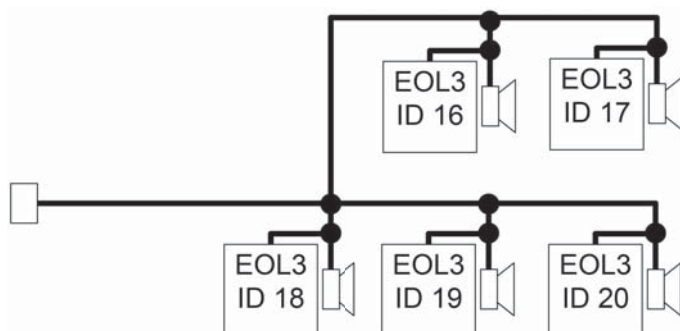
Tree structure monitoring

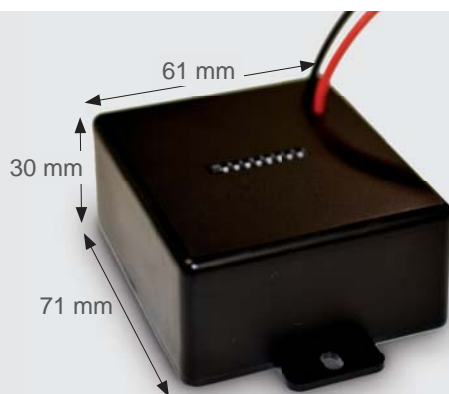
The EOL3 modul is connected at each end of a branch.



Individual speaker monitoring

One EOI3 module is connected by each loudspeaker.





Power supply	8-100 VAC
Power consumption	Max 150 mW typ 100 mW
Protectiona	IP54
# Modules per Amplifier	16 (max.)
# Modules per Speakerline 1	16 (max.)
# Module per Spider / Spiderline	64 (max.)
Line power	500 W (max.)
Operating temperature	-5° C - +40° C
Dimensions	71 mm x 61 mm x 30 mm
Weight	ca. 100 g
Wiring	2 x 1,5 mm ²

All information without guarantee. Subject to technical changes.