

**System component: FIRE FIGHTERS CALL STATION
according to ÖNORM F3033/02**

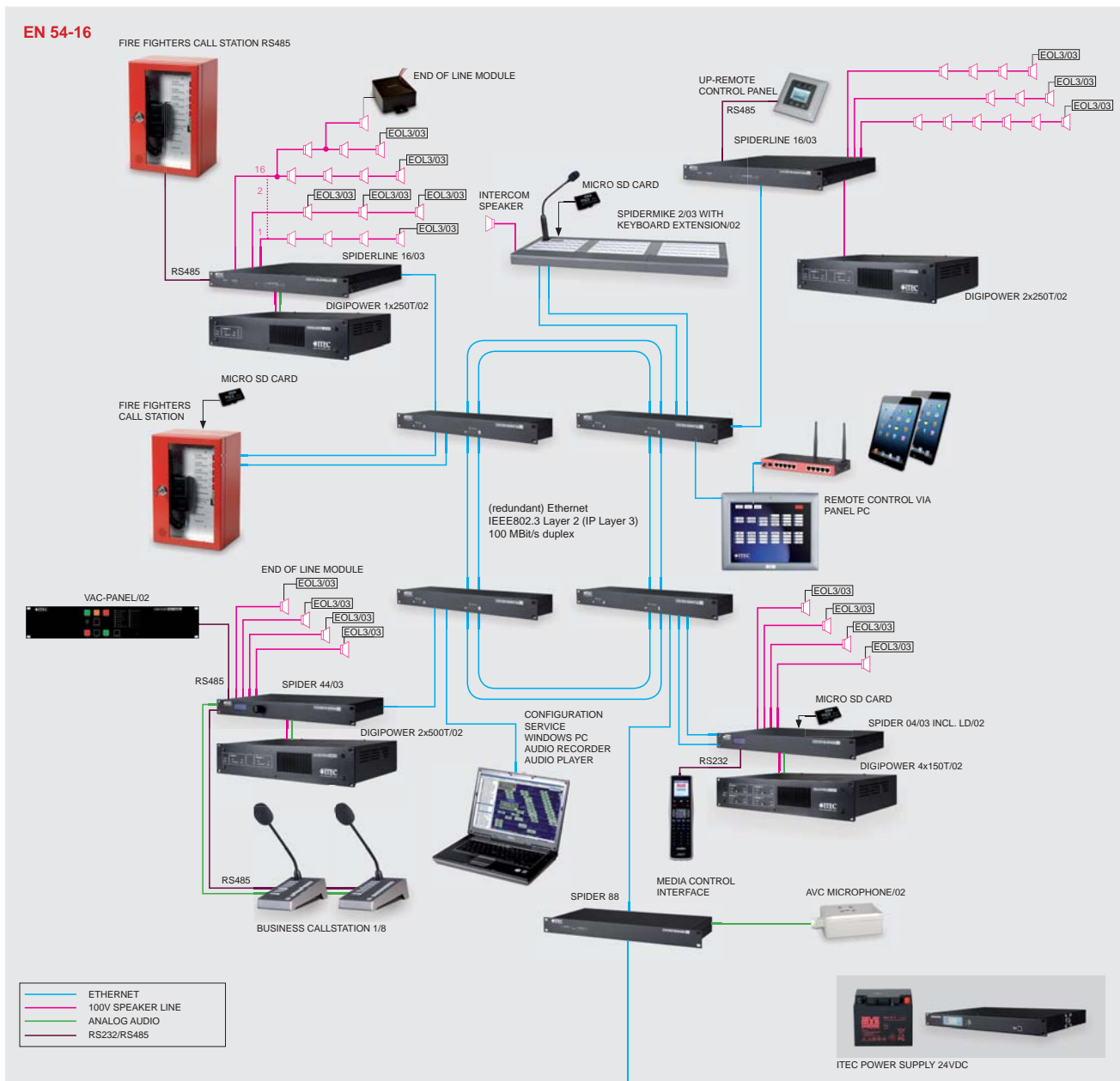
- Alarm call station with housing and operating panel according to standard
- Full-fledged ITECNET system component, network device
- Up to 4000 devices can work simultaneously together in a network
- Ethernet-based multi-channel PA system for alarming, evacuation, music and broadcasting
- Simultaneous transmission of up to 64 digital audio channels in studio quality (48 kHz / 24 bit)
- Real-time configuration with ITECNET - NETDESIGN: Allows system configuration changes during normal operation of the system
- Real-time audio transmission: Constant latency of 4.6 ms analog-in/analog-out
- Dynamic hand-held microphone
- Microphone and line monitoring
- Integrated 2 GB memory card for alarm texts and music files. Recording Capacity 256 files, total time about 3 hours!
- 24 VDC power for supply using EN54-4-certified energy supply equipment.
- System certified according to EN 54-16: EC conformity certificate no. 1293-CPR-0700

FIRE FIGHTERS CALL STATION according to ÖNORM F3033/02

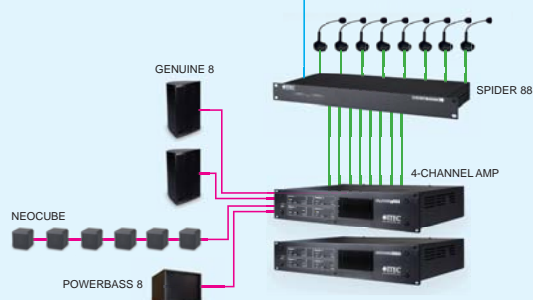
The ITEC Fire Brigade Call Station has the same features as the ITECNET SPIDERMIKE2 call station. However, its call station hardware is in a housing that meets the ÖNORM F3033 standard. So the Fire Brigade Call Station offers the standardised Austrian user interface for safety call stations with a lockable door. Ports in steel housing: 2x RJ45 network connection, power supply: 24 VDC.

Option: Redundant connection via internal PCB board.

SYSTEM OVERVIEW:



PUBLIC ADDRESS



INPUTS AND OUTPUTS

SPIDERMIKE2 base station

Ethernet-based network with 100 Mbit/s duplex (CAT5 cable)
 2 analog Mic/Line Inputs
 Integrated speaker
 1 additional analog audio output
 operating and display panel to standard
 Voltage supply: 24 VDC
 Power: 15 VA

Audio Features:

16/24 or 32-bit Digital Audio
 Sample rate: 48 or 96 kHz
 Adjustable latency: 0.6 / 1.3 / 2.6 ms
 Dynamic range: 103 dB
 Total harmonic distortion (THD) <0.005 %
 Frequency response: 20 Hz - 20 kHz (± 0.5 dB)

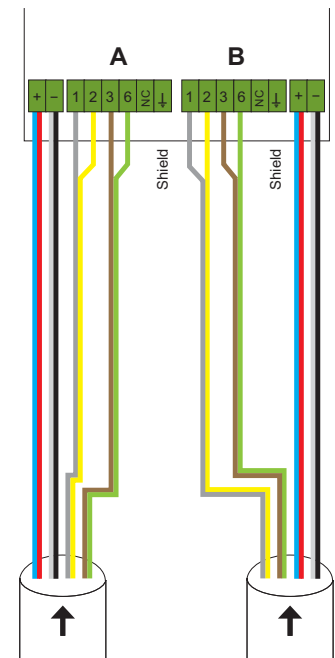
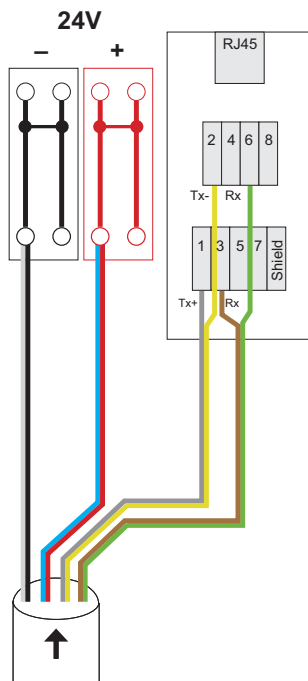
NETWORK CONNECTION IN STEEL HOUSING

Standard:

Interface PCB to ITEC Spidermike 2

Option:

Redundant supply interface board



Connection example
 E30 Fire alarm cables
 J-H(ST)H 4X2X0,8 Bd BMK
 Color code according to VDE 0815

| Connection | Function | CAT5 assignment to T568B | Fire alarm cables Color code acc. to VDE0815 |
|------------|-----------|--------------------------|--|
| Red | 24VDC + | White/Brown | Red |
| | | Brown | Blue |
| Black | 24VDC - | White/Blue | Black |
| | | Blue | White |
| 1 | TX+ | White/Orange | Grey |
| 2 | TX- | Orange | Yellow |
| 3 | RX+ | White/Green | Brown |
| 6 | RX- | Green | Green |
| Shield | shielding | shielding | shielding |

NETDESIGN CONFIGURATION, MAINTENANCE, CONTROL, AND INTERFACE SOFTWARE

ITEC NETDESIGN is a Windows-based application for configuring and monitoring the entire ITECNET network. Included is a TCP/IP interface (ITECNET API) allowing a direct link to other control systems, such as media control or security management systems. In addition NETDESIGN offers the possibility to update the DSP- and control software from any point of the network. The huge number of monitoring and logging capabilities ensures a safe operation within this large audio and data distribution system.

FIRE FIGHTERS CALL STATION according to ÖNORM F3033/02 - SPECIFICATIONS



| General | |
|--------------------------|--|
| External power supply | switching power supply or 24 VDC (18 V < V < 32 V) |
| Current | 260 mA, measured without applied load on the 10 VDC voltage |
| Operating temperature | -5° C - +40° C |
| Dimensions | 200 mm x 300 mm (W x H) |
| Weight | 4.5 kg |
| Audio | |
| Audio frequency response | 40 Hz-20 kHz/-1 dB |
| Harmonic distortion | <0,005 % |
| General dynamics | 103 dB |
| Balanced inputs | max. free selectable gain -20 dB to +60 dB |
| Phantom power | +12 V |
| Input impedance | 6,6 kOhm |
| Balanced outputs | OUT1: speaker 1 W; OUT2: balanced; max. output level +15 dB, output impedance 300 Ohm |
| Sound Processing | |
| Per input | 2-band fully parametric equalizer ± 15 dB, Q=0,1-70 1 low/high pass 1st order |
| Per output | 4-band fully parametric equalizer ± 15 dB, delay: 0.023 ms-24.5 s bandpassfilter: 1st – 4th order Compressor/limiter |
| Filter quality | selectable from 0.1 to 70 |
| Serial interfaces | |
| RS232 | 9600, 19200, 57600, 115.200 baud |
| Digital inputs | 4 schmitt-trigger inputs on plug in-terminal strip |
| Input voltage | Low < 1.6 V / High > 8 V |
| Max. allowable voltage | 18 V |
| Input current (@10 V) | about 0.2 mA |
| Digital outputs | 6 open-collector outputs on plug in-terminal strip |
| Max. voltage | 36 V |
| Max. output current | 200 mA per output / total 500 mA (sum of all outputs switched) |
| Analog inputs | 6 analog inputs on plug in-terminal strip |
| Range | 0-10 VDC |
| Resolution | 8 Bit |
| Input current (@10 V) | ca. 0.2 mA |
| Micro SD-card slot | |
| Storage capacity | for Micro SD cards up to 2 GB |
| Network | |
| | Ethernet 100 Base-TX, IEEE 802.3u |

All information without guarantee. Subject to technical changes.